

LED TRAFFIC LIGHT

(2020)



SOLMINCO PERU S.A.C.

SOLMINCO PERU S.A.C.
TEL. +51 053 481 054
CEL. +51 938 899 232
WEB. www.solminco-peru.com
INFORMES. info@solminco-peru.com
VENTAS. ventas@solminco-peru.com



LED Lane Traffic Light



| Diameter | Model | LED Qty (Pcs) | Light Intensity (mcd) | Wavelength (nm) | Power (W) | Input Voltage | Visual Angle | Operating Temperature | Housing material |
|----------|------------------|---------------|-----------------------|-----------------|-----------|-------------------------------------|--------------|-----------------------|------------------|
| 200 | CD200-3-ZGSM-1-R | R: 64 | 5000~7000 | 625±5 | ≤5 | 12V/24V DC 100-240VAC 50/60Hz | <30° | -40~+75°C | PC |
| 300 | CD300-3-ZGSM-1-R | R: 96 | 5000~7000 | 625±5 | ≤7 | | | | PC Aluminum |



| Diameter | Model | LED Qty (Pcs) | Light Intensity (mcd) | Wavelength (nm) | Power (W) | Input Voltage | Visual Angle | Operating Temperature | Housing material |
|----------|-------------------|---------------|-----------------------|-----------------|-----------|-------------------------------------|--------------|-----------------------|------------------|
| 200 | CD200-3-ZGSM-1-RG | R: 64 | 5000~7000 | 625±5 | ≤5 | 12V/24V DC 100-240VAC 50/60Hz | <30° | -40~+75°C | PC |
| | | G: 56 | 8000~13000 | 500±5 | | | | | |
| 300 | CD300-3-ZGSM-1-RG | R: 96 | 5000~7000 | 625±5 | ≤7 | 12V/24V DC 100-240VAC 50/60Hz | <30° | -40~+75°C | PC Aluminum |
| | | G: 96 | 8000~13000 | 500±5 | | | | | |



| Diameter | Model | LED Qty (Pcs) | Light Intensity (mcd) | Wavelength (nm) | Power (W) | Input Voltage | Visual Angle | Operating Temperature | Housing material |
|----------|-------------------|---------------|-----------------------|-----------------|-----------|-------------------------------------|--------------|-----------------------|------------------|
| 200 | CD200-3-ZGSM-2-RG | R: 64 | 5000~7000 | 625±5 | ≤5 | 12V/24V DC 100-240VAC 50/60Hz | <30° | -40~+75°C | PC |
| | | G: 64 | 8000~13000 | 500±5 | | | | | |
| 300 | CD300-3-ZGSM-2-RG | R: 96 | 5000~7000 | 625±5 | ≤5 | 12V/24V DC 100-240VAC 50/60Hz | <30° | -40~+75°C | PC Aluminum |
| | | G: 96 | 8000~13000 | 500±5 | | | | | |



LED Arrow Traffic Light



| Diameter | Model | LED Qty (Pcs) | Light Intensity (mcd) | Wavelength (nm) | Power (W) | Input Voltage | Visual Angle | Operating Temperature | Housing material |
|----------|------------------|---------------|-----------------------|-----------------|-----------|-------------------------------------|--------------|-----------------------|------------------|
| 200 | FX200-3-ZGSM-1-R | R: 64 | 5000~7000 | 625±5 | ≤5 | 12V/24V DC 100-240VAC 50/60Hz | <30° | -40~+75°C | PC |
| 300 | FX300-3-ZGSM-1-R | R: 96 | 5000~7000 | 625±5 | ≤5 | | | | PC Aluminum |



| Diameter | Model | LED Qty (Pcs) | Light Intensity (mcd) | Wavelength (nm) | Power (W) | Input Voltage | Visual Angle | Operating Temperature | Housing material |
|----------|------------------|---------------|-----------------------|-----------------|-----------|-------------------------------------|--------------|-----------------------|------------------|
| 200 | FX200-3-ZGSM-1-G | G: 64 | 8000~13000 | 500±5 | ≤5 | 12V/24V DC 100-240VAC 50/60Hz | <30° | -40~+75°C | PC |
| 300 | FX300-3-ZGSM-1-G | G: 96 | 8000~13000 | 500±5 | ≤7 | | | | PC Aluminum |



| Diameter | Model | LED Qty (Pcs) | Light Intensity (mcd) | Wavelength (nm) | Power (W) | Input Voltage | Visual Angle | Operating Temperature | Housing material |
|----------|------------------|---------------|-----------------------|-----------------|-----------|-------------------------------------|--------------|-----------------------|------------------|
| 200 | FX200-3-ZGSM-1-Y | Y: 64 | 5000~7000 | 590±5 | ≤5 | 12V/24V DC 100-240VAC 50/60Hz | <30° | -40~+75°C | PC |
| 300 | FX300-3-ZGSM-1-Y | Y: 96 | 5000~7000 | 590±5 | ≤5 | | | | PC Aluminum |



| Diameter | Model | LED Qty (Pcs) | Light Intensity (mcd) | Wavelength (nm) | Power (W) | Input Voltage | Visual Angle | Operating Temperature | Housing material |
|----------|-------------------|---------------|-----------------------|-----------------|-----------|-------------------------------------|--------------|-----------------------|------------------|
| 300 | FX300-3-ZGSM-1-LR | R: 96 | 5000~7000 | 625±5 | ≤5 | 12V/24V DC 100-240VAC 50/60Hz | <30° | -40~+75°C | PC Aluminum |



| Diameter | Model | LED Qty (Pcs) | Light Intensity (mcd) | Wavelength (nm) | Power (W) | Input Voltage | Visual Angle | Operating Temperature | Housing material |
|----------|-------------------|---------------|-----------------------|-----------------|-----------|-------------------------------------|--------------|-----------------------|------------------|
| 300 | FX300-3-ZGSM-1-LG | G: 96 | 8000~13000 | 500±5 | ≤7 | 12V/24V DC 100-240VAC 50/60Hz | <30° | -40~+75°C | PC Aluminum |

Arrow Traffic Light



| Diameter | Model | LED Qty (Pcs) | Light Intensity (mcd) | Wavelength (nm) | Power (W) | Input Voltage | Visual Angle | Operating Temperature | Housing material |
|----------|-------------------|---------------|-----------------------|-----------------|-----------|-------------------------------------|--------------|-----------------------|------------------|
| 300 | FX300-3-ZGSM-1-LY | Y: 96 | 5000~7000 | 590±5 | ≤5 | 12V/24V DC 100-240VAC 50/60Hz | <30° | -40~+75°C | PC Aluminum |



| Diameter | Model | LED Qty (Pcs) | Light Intensity (mcd) | Wavelength (nm) | Power (W) | Input Voltage | Visual Angle | Operating Temperature | Housing material |
|----------|-------------------|---------------|-----------------------|-----------------|-----------|-------------------------------------|--------------|-----------------------|------------------|
| 300 | FX300-3-ZGSM-1-LR | R: 96 | 5000~7000 | 625±5 | ≤5 | 12V/24V DC 100-240VAC 50/60Hz | <30° | -40~+75°C | PC Aluminum |



| Diameter | Model | LED Qty (Pcs) | Light Intensity (mcd) | Wavelength (nm) | Power (W) | Input Voltage | Visual Angle | Operating Temperature | Housing material |
|----------|-------------------|---------------|-----------------------|-----------------|-----------|-------------------------------------|--------------|-----------------------|------------------|
| 300 | FX300-3-ZGSM-1-LG | G: 96 | 8000~13000 | 500±5 | ≤7 | 12V/24V DC 100-240VAC 50/60Hz | <30° | -40~+75°C | PC Aluminum |



| Diameter | Model | LED Qty (Pcs) | Light Intensity (mcd) | Wavelength (nm) | Power (W) | Input Voltage | Visual Angle | Operating Temperature | Housing material |
|----------|-------------------|---------------|-----------------------|-----------------|-----------|-------------------------------------|--------------|-----------------------|------------------|
| 300 | FX300-3-ZGSM-1-RY | Y: 96 | 5000~7000 | 590±5 | ≤5 | 12V/24V DC 100-240VAC 50/60Hz | <30° | -40~+75°C | PC Aluminum |

LED Arrow Traffic Light



| Diameter | Model | LED Qty (Pcs) | Light Intensity (mcd) | Wavelength (nm) | Power (W) | Input Voltage | Visual Angle | Operating Temperature | Housing material |
|----------|-------------------|---------------|-----------------------|-----------------|-----------|-------------------------------------|--------------|-----------------------|------------------|
| 200 | FX200-3-ZGSM-2-RG | R: 64 | 5000~7000 | 625±5 | ≤5 | 12V/24V DC 100-240VAC 50/60Hz | <30° | -40~+75°C | PC |
| | | G: 64 | 8000~13000 | 500±5 | ≤5 | | | | |
| 300 | FX300-3-ZGSM-2-RG | R: 96 | 5000~7000 | 625±5 | ≤5 | 12V/24V DC 100-240VAC 50/60Hz | <30° | -40~+75°C | PC Aluminum |
| | | G: 96 | 8000~13000 | 500±5 | ≤7 | | | | |



| Diameter | Model | LED Qty (Pcs) | Light Intensity (mcd) | Wavelength (nm) | Power (W) | Input Voltage | Visual Angle | Operating Temperature | Housing material |
|----------|---------------------|---------------|-----------------------|-----------------|-----------|-------------------------------------|--------------|-----------------------|------------------|
| 300 | FX300-3-ZGSM-2-L-RG | R: 96 | 5000~7000 | 625±5 | ≤5 | 12V/24V DC 100-240VAC 50/60Hz | <30° | -40~+75°C | PC Aluminum |
| | | G: 96 | 8000~13000 | 500±5 | ≤7 | | | | |



| Diameter | Model | LED Qty (Pcs) | Light Intensity (mcd) | Wavelength (nm) | Power (W) | Input Voltage | Visual Angle | Operating Temperature | Housing material |
|----------|---------------------|---------------|-----------------------|-----------------|-----------|-------------------------------------|--------------|-----------------------|------------------|
| 300 | FX300-3-ZGSM-2-R-RG | R: 96 | 5000~7000 | 625±5 | ≤5 | 12V/24V DC 100-240VAC 50/60Hz | <30° | -40~+75°C | PC Aluminum |
| | | G: 96 | 8000~13000 | 500±5 | ≤7 | | | | |



LED Arrow Traffic Light



| Diameter | Model | LED Qty (Pcs) | Light Intensity (mcd) | Wavelength (nm) | Power (W) | Input Voltage | Visual Angle | Operating Temperature | Housing material |
|----------|--------------------|---------------|-----------------------|-----------------|-----------|-------------------------------------|--------------|-----------------------|------------------|
| 200 | CD200-3-ZGSM-3-RYG | R: 64 | 5000~7000 | 625±5 | ≤5 | 12V/24V DC 100-240VAC 50/60Hz | <30° | -40~+75°C | PC |
| | | Y: 64 | 5000~7000 | 590±5 | | | | | |
| | | G: 64 | 8000~13000 | 500±5 | | | | | |
| 300 | CD300-3-ZGSM-3-RYG | R: 96 | 5000~7000 | 625±5 | ≤5 | 12V/24V DC 100-240VAC 50/60Hz | <30° | -40~+75°C | PC Aluminum |
| | | Y: 96 | 5000~7000 | 590±5 | ≤5 | | | | |
| | | G: 96 | 8000~13000 | 500±5 | ≤7 | | | | |



| Diameter | Model | LED Qty (Pcs) | Light Intensity (mcd) | Wavelength (nm) | Power (W) | Input Voltage | Visual Angle | Operating Temperature | Housing material |
|----------|----------------------|---------------|-----------------------|-----------------|-----------|-------------------------------------|--------------|-----------------------|------------------|
| 300 | FX300-3-ZGSM-3-L-RYG | R: 96 | 5000~7000 | 625±5 | ≤5 | 12V/24V DC 100-240VAC 50/60Hz | <30° | -40~+75°C | PC Aluminum |
| | | Y: 96 | 5000~7000 | 590±5 | ≤5 | | | | |
| | | G: 96 | 8000~13000 | 500±5 | ≤7 | | | | |



| Diameter | Model | LED Qty (Pcs) | Light Intensity (mcd) | Wavelength (nm) | Power (W) | Input Voltage | Visual Angle | Operating Temperature | Housing material |
|----------|----------------------|---------------|-----------------------|-----------------|-----------|-------------------------------------|--------------|-----------------------|------------------|
| 300 | FX300-3-ZGSM-3-R-RYG | R: 96 | 5000~7000 | 625±5 | ≤5 | 12V/24V DC 100-240VAC 50/60Hz | <30° | -40~+75°C | PC Aluminum |
| | | Y: 96 | 5000~7000 | 590±5 | ≤5 | | | | |
| | | G: 96 | 8000~13000 | 500±5 | ≤7 | | | | |

LED Arrow Traffic Light



| Diameter | Model | LED Qty (Pcs) | Light Intensity (mcd) | Wavelength (nm) | Power (W) | Input Voltage | Visual Angle | Operating Temperature | Housing material |
|----------|----------------------|-----------------------------------|-----------------------|-----------------|-----------|-------------------------------------|--------------|-----------------------|------------------|
| 300 | FX300-3-ZGSM-3-R288G | R: Arrow: 96 Countdown: 140 | 5000~7000 | 625±5 | ≤5 ≤2 | 12V/24V DC 100-240VAC 50/60Hz | <30° | -40~+75°C | PC Aluminum |
| | | G: Arrow: 96 Countdown: 140 | 8000~13000 | 500±5 | ≤7 ≤2 | | | | |



| Diameter | Model | LED Qty (Pcs) | Light Intensity (mcd) | Wavelength (nm) | Power (W) | Input Voltage | Visual Angle | Operating Temperature | Housing material |
|----------|-----------------------|-----------------------------------|-----------------------|-----------------|-----------|-------------------------------------|--------------|-----------------------|------------------|
| 300 | FX300-3-ZGSM-3-R288YG | R: Arrow: 96 Countdown: 140 | 5000~7000 | 625±5 | ≤5 ≤2 | 12V/24V DC 100-240VAC 50/60Hz | <30° | -40~+75°C | PC Aluminum |
| | | Y: 96 | 5000~7000 | 590±5 | ≤5 | | | | |
| | | G: Arrow: 96 Countdown: 140 | 8000~13000 | 500±5 | ≤5 ≤2 | | | | |

LED Driveway Traffic Light



| Diameter | Model | LED Qty (Pcs) | Light Intensity (mcd) | Wavelength (nm) | Power (W) | Input Voltage | Visual Angle | Operating Temperature | Housing material |
|----------|------------------|---------------|-----------------------|-----------------|-----------|-------------------------------------|--------------|-----------------------|------------------|
| 200 | JD200-3-ZGSM-1-R | R: 96 | 5000~7000 | 625±5 | ≤5 | 12V/24V DC 100-240VAC 50/60Hz | <30° | -40~+75°C | PC |
| 300 | FX300-3-ZGSM-1-R | R: 168 | 5000~7000 | 625±5 | ≤8 | | | | PC Aluminum |



| Diameter | Model | LED Qty (Pcs) | Light Intensity (mcd) | Wavelength (nm) | Power (W) | Input Voltage | Visual Angle | Operating Temperature | Housing material |
|----------|------------------|---------------|-----------------------|-----------------|-----------|-------------------------------------|--------------|-----------------------|------------------|
| 200 | JD200-3-ZGSM-1-G | G: 96 | 8000~13000 | 500±5 | ≤7 | 12V/24V DC 100-240VAC 50/60Hz | <30° | -40~+75°C | PC |
| 300 | JD300-3-ZGSM-1-G | G: 168 | 8000~13000 | 500±5 | ≤8 | | | | PC Aluminum |



| Diameter | Model | LED Qty (Pcs) | Light Intensity (mcd) | Wavelength (nm) | Power (W) | Input Voltage | Visual Angle | Operating Temperature | Housing material |
|----------|------------------|---------------|-----------------------|-----------------|-----------|-------------------------------------|--------------|-----------------------|------------------|
| 200 | JD200-3-ZGSM-1-Y | Y: 96 | 5000~7000 | 590±5 | ≤5 | 12V/24V DC 100-240VAC 50/60Hz | <30° | -40~+75°C | PC |
| 300 | JD300-3-ZGSM-1-Y | Y: 168 | 5000~7000 | 590±5 | ≤8 | | | | PC Aluminum |



| Diameter | Model | LED Qty (Pcs) | Light Intensity (mcd) | Wavelength (nm) | Power (W) | Input Voltage | Visual Angle | Operating Temperature | Housing material |
|----------|-------------------|---------------|-----------------------|-----------------|-----------|-------------------------------------|--------------|-----------------------|------------------|
| 200 | JD200-3-ZGSM-2-RG | R: 96 | 5000~7000 | 625±5 | ≤5 | 12V/24V DC 100-240VAC 50/60Hz | <30° | -40~+75°C | PC |
| | | G: 96 | 8000~13000 | 500±5 | | | | | |
| 300 | JD300-3-ZGSM-2-RG | R: 168 | 5000~7000 | 625±5 | ≤8 | | | | PC Aluminum |
| | | G: 168 | 8000~13000 | 500±5 | ≤10 | | | | |



LED Driveway Traffic Light



| Diameter | Model | LED Qty (Pcs) | Light Intensity (mcd) | Wavelength (nm) | Power (W) | Input Voltage | Visual Angle | Operating Temperature | Housing material |
|----------|--------------------|---------------|-----------------------|-----------------|-----------|-------------------------------------|--------------|-----------------------|------------------|
| 200 | JD200-3-ZGSM-3-RYG | R: 96 | 5000~7000 | 625±5 | ≤5 | 12V/24V DC 100-240VAC 50/60Hz | <30° | -40~+75°C | PC |
| | | Y: 96 | 5000~7000 | 590±5 | | | | | |
| | | G: 96 | 8000~13000 | 500±5 | | | | | |
| 300 | JD300-3-ZGSM-3-RYG | R: 168 | 5000~7000 | 625±5 | ≤8 | | | | PC Aluminum |
| | | Y: 168 | 5000~7000 | 590±5 | ≤8 | | | | |
| | | G: 168 | 8000~13000 | 500±5 | ≤10 | | | | |



| Diameter | Model | LED Qty (Pcs) | Light Intensity (mcd) | Wavelength (nm) | Power (W) | Input Voltage | Visual Angle | Operating Temperature | Housing material |
|----------|----------------------|------------------------------------|-----------------------|-----------------|-----------|-------------------------------------|--------------|-----------------------|------------------|
| 300 | JD300-3-ZGSM-3-R288G | R: Arrow: 168 Countdown: 140 | 5000~7000 | 625±5 | ≤8 ≤2 | 12V/24V DC 100-240VAC 50/60Hz | <30° | -40~+75°C | PC Aluminum |
| | | G: Arrow: 168 Countdown: 140 | 8000~13000 | 500±5 | ≤10 ≤2 | | | | |



| Diameter | Model | LED Qty (Pcs) | Light Intensity (mcd) | Wavelength (nm) | Power (W) | Input Voltage | Visual Angle | Operating Temperature | Housing material |
|----------|-----------------------|------------------------------------|-----------------------|-----------------|-----------|-------------------------------------|--------------|-----------------------|------------------|
| 300 | JD300-3-ZGSM-4-RYG288 | R: Arrow: 168 Countdown: 140 | 5000~7000 | 625±5 | ≤8 ≤2 | 12V/24V DC 100-240VAC 50/60Hz | <30° | -40~+75°C | PC Aluminum |
| | | Y: 168 | 5000~7000 | 590±5 | ≤8 | | | | |
| | | G: Arrow: 168 Countdown: 140 | 8000~13000 | 500±5 | ≤10 ≤2 | | | | |

LED Driveway Traffic Light

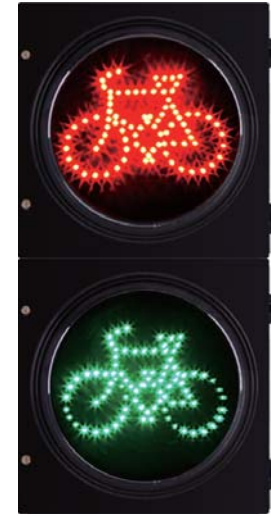


| Diameter | Model | LED Qty (Pcs) | Light Intensity (mcd) | Wavelength (nm) | Power (W) | Input Voltage | Visual Angle | Operating Temperature | Housing material |
|----------|----------------------|---------------------------------|-----------------------|-----------------|-----------|-------------------------------------|--------------|-----------------------|------------------|
| 300 | JD300-3-ZGSM-3-R388G | R: Arrow: 168 Countdown: 140 | 5000~7000 | 625±5 | ≤8 ≤2 | 12V/24V DC 100-240VAC 50/60Hz | <30° | -40~+75°C | PC Aluminum |
| | | Y: 84 | 5000~7000 | 590±5 | ≤2 | | | | |
| | | G: Arrow: 168 Countdown: 140 | 8000~13000 | 500±5 | ≤10 ≤2 | | | | |



| Diameter | Model | LED Qty (Pcs) | Light Intensity (mcd) | Wavelength (nm) | Power (W) | Input Voltage | Visual Angle | Operating Temperature | Housing material |
|----------|-----------------------|---------------------------------|-----------------------|-----------------|-----------|-------------------------------------|--------------|-----------------------|------------------|
| 300 | JD300-3-ZGSM-3-R288YG | R: Arrow: 168 Countdown: 140 | 5000~7000 | 625±5 | ≤8 ≤2 | 12V/24V DC 100-240VAC 50/60Hz | <30° | -40~+75°C | PC Aluminum |
| | | Y: 168 | 5000~7000 | 590±5 | ≤8 | | | | |
| | | G: Arrow: 168 Countdown: 140 | 8000~13000 | 500±5 | ≤10 ≤2 | | | | |

LED Bicycleway Traffic Light



| Diameter | Model | LED Qty (Pcs) | Light Intensity (mcd) | Wavelength (nm) | Power (W) | Input Voltage | Visual Angle | Operating Temperature | Housing material |
|----------|-------------------|---------------|-----------------------|-----------------|-----------|-------------------------------------|--------------|-----------------------|------------------|
| 300 | FJ300-3-ZGSM-2-RG | R: 88 | 5000~7000 | 625±5 | ≤5 | 12V/24V DC 100-240VAC 50/60Hz | <30° | -40~+75°C | PC Aluminum |
| | | G: 88 | 8000~13000 | 500±5 | ≤7 | | | | |



| Diameter | Model | LED Qty (Pcs) | Light Intensity (mcd) | Wavelength (nm) | Power (W) | Input Voltage | Visual Angle | Operating Temperature | Housing material |
|----------|--------------------|---------------|-----------------------|-----------------|-----------|-------------------------------------|--------------|-----------------------|------------------|
| 300 | FJ300-3-ZGSM-3-RYG | R: 88 | 5000~7000 | 625±5 | ≤5 | 12V/24V DC 100-240VAC 50/60Hz | <30° | -40~+75°C | PC Aluminum |
| | | Y: 88 | 5000~7000 | 590±5 | ≤5 | | | | |
| | | G: 88 | 8000~13000 | 500±5 | ≤7 | | | | |



| Diameter | Model | LED Qty (Pcs) | Light Intensity (mcd) | Wavelength (nm) | Power (W) | Input Voltage | Visual Angle | Operating Temperature | Housing material |
|----------|----------------------|----------------------------------|-----------------------|-----------------|-----------|-------------------------------------|--------------|-----------------------|------------------|
| 300 | FJ300-3-ZGSM-3-R288G | R: Bicycle: 88 Countdown: 140 | 5000~7000 | 625±5 | ≤5 ≤2 | 12V/24V DC 100-240VAC 50/60Hz | <30° | -40~+75°C | PC Aluminum |
| | | G: Bicycle: 88 Countdown: 140 | 8000~13000 | 500±5 | ≤7 ≤2 | | | | |

LED Pedestrian Traffic Light



| Diameter | Model | LED Qty (Pcs) | Light Intensity (mcd) | Wavelength (nm) | Power (W) | Input Voltage | Visual Angle | Operating Temperature | Housing material |
|----------|------------------|---------------|-----------------------|-----------------|-----------|-------------------------------------|--------------|-----------------------|------------------|
| 200 | RX200-3-ZGSM-1-R | R: 64 | 5000~7000 | 625±5 | ≤5 | 12V/24V DC 100-240VAC 50/60Hz | <30° | -40~+75°C | PC |
| 300 | RX300-3-ZGSM-1-R | R: 80 | 5000~7000 | 625±5 | ≤5 | | | | PC Aluminum |



| Diameter | Model | LED Qty (Pcs) | Light Intensity (mcd) | Wavelength (nm) | Power (W) | Input Voltage | Visual Angle | Operating Temperature | Housing material |
|----------|------------------|---------------|-----------------------|-----------------|-----------|-------------------------------------|--------------|-----------------------|------------------|
| 200 | RX200-3-ZGSM-1-G | G: 56 | 8000~13000 | 500±5 | ≤5 | 12V/24V DC 100-240VAC 50/60Hz | <30° | -40~+75°C | PC |
| 300 | RX300-3-ZGSM-1-G | G: 64 | 8000~13000 | 500±5 | ≤5 | | | | PC Aluminum |



| Diameter | Model | LED Qty (Pcs) | Light Intensity (mcd) | Wavelength (nm) | Power (W) | Input Voltage | Visual Angle | Operating Temperature | Housing material |
|----------|-------------------|---------------|-----------------------|-----------------|-----------|-------------------------------------|--------------|-----------------------|------------------|
| 300 | RX300-3-ZGSM-1-RS | R: 96 | 5000~7000 | 625±5 | ≤5 | 12V/24V DC 100-240VAC 50/60Hz | <30° | -40~+75°C | PC Aluminum |



| Diameter | Model | LED Qty (Pcs) | Light Intensity (mcd) | Wavelength (nm) | Power (W) | Input Voltage | Visual Angle | Operating Temperature | Housing material |
|----------|-------------------|---------------|-----------------------|-----------------|-----------|-------------------------------------|--------------|-----------------------|------------------|
| 200 | RX200-3-ZGSM-2-RG | R: 64 | 5000~7000 | 625±5 | ≤5 | 12V/24V DC 100-240VAC 50/60Hz | <30° | -40~+75°C | PC |
| 300 | RX300-3-ZGSM-2-RG | R: 80 | 5000~7000 | 625±5 | | | | | ≤8 |
| | | G: 56 | 8000~13000 | 500±5 | | | | | |
| | | G: 64 | 8000~13000 | 500±5 | | | | | |



LED Pedestrian Traffic Light



| Diameter | Model | LED Qty (Pcs) | Light Intensity (mcd) | Wavelength (nm) | Power (W) | Input Voltage | Visual Angle | Operating Temperature | Housing material |
|----------|--------------------|---------------|-----------------------|-----------------|-----------|-------------------------------------|--------------|-----------------------|------------------|
| 300 | RX300-3-ZGSM-2-RSG | R: 96 | 5000~7000 | 625±5 | ≤5 | 12V/24V DC 100-240VAC 50/60Hz | <30° | -40~+75°C | PC Aluminum |
| | | G: 64 | 8000~13000 | 500±5 | ≤5 | | | | |



| Diameter | Model | LED Qty (Pcs) | Light Intensity (mcd) | Wavelength (nm) | Power (W) | Input Voltage | Visual Angle | Operating Temperature | Housing material |
|----------|--------------------|---------------|-----------------------|-----------------|-----------|-------------------------------------|--------------|-----------------------|------------------|
| 200 | RX200-3-ZGSM-2-RGD | R: 60 | 5000~7000 | 625±5 | ≤5 | 12V/24V DC 100-240VAC 50/60Hz | <30° | -40~+75°C | PC |
| 300 | RX300-3-ZGSM-2-RGD | R: 80 | 5000~7000 | 625±5 | | | | | ≤8 |
| | | G: 84 | 8000~13000 | 500±5 | | | | | |
| | | G: 102 | 8000~13000 | 500±5 | | | | | |

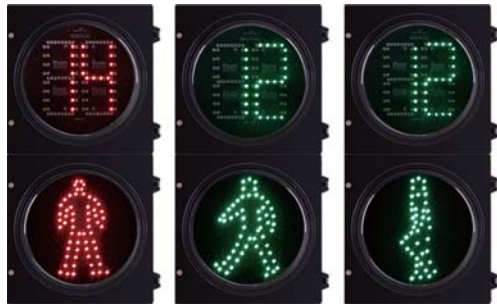


| Diameter | Model | LED Qty (Pcs) | Light Intensity (mcd) | Wavelength (nm) | Power (W) | Input Voltage | Visual Angle | Operating Temperature | Housing material |
|----------|-----------------------|-------------------------------|-----------------------|-----------------|-----------|-------------------------------------|--------------|-----------------------|------------------|
| 300 | RX300-3-ZGSM-2-RGD288 | R: Man: 80 Countdown: 140 | 5000~7000 | 625±5 | ≤8 ≤2 | 12V/24V DC 100-240VAC 50/60Hz | <30° | -40~+75°C | PC Aluminum |
| | | G: Man: 102 Countdown: 140 | 8000~13000 | 500±5 | ≤8 ≤2 | | | | |

LED Pedestrian Traffic Light



| Diameter | Model | LED Qty (Pcs) | Light Intensity (mcd) | Wavelength (nm) | Power (W) | Input Voltage | Visual Angle | Operating Temperature | Housing material |
|----------|----------------------|--------------------------------|-----------------------|-----------------|-----------|-------------------------------------|--------------|-----------------------|------------------|
| 200 | RX200-3-ZGSM-2-RG288 | R: Man: 64 Countdown: 56 | 5000~7000 | 625±5 | ≤5 ≤2 | 12V/24V DC 100-240VAC 50/60Hz | <30° | -40~+75°C | PC Aluminum |
| | | G: Man: 56 Countdown: 56 | 8000~13000 | 500±5 | ≤5 ≤2 | | | | |



| Diameter | Model | LED Qty (Pcs) | Light Intensity (mcd) | Wavelength (nm) | Power (W) | Input Voltage | Visual Angle | Operating Temperature | Housing material |
|----------|-----------------------|--------------------------------|-----------------------|-----------------|-----------|-------------------------------------|--------------|-----------------------|------------------|
| 200 | RX200-3-ZGSM-2-RGD288 | R: Man: 60 Countdown: 56 | 5000~7000 | 625±5 | ≤5 ≤2 | 12V/24V DC 100-240VAC 50/60Hz | <30° | -40~+75°C | PC Aluminum |
| | | G: Man: 84 Countdown: 56 | 8000~13000 | 500±5 | ≤5 ≤2 | | | | |

LED U-Turn Traffic Light



| Diameter | Model | LED Qty (Pcs) | Light Intensity (mcd) | Wavelength (nm) | Power (W) | Input Voltage | Visual Angle | Operating Temperature | Housing material |
|----------|------------------|---------------|-----------------------|-----------------|-----------|-------------------------------------|--------------|-----------------------|------------------|
| 300 | DT300-3-ZGSM-1-R | R: 96 | 5000~7000 | 625±5 | ≤5 | 12V/24V DC 100-240VAC 50/60Hz | <30° | -40~+75°C | PC Aluminum |



| Diameter | Model | LED Qty (Pcs) | Light Intensity (mcd) | Wavelength (nm) | Power (W) | Input Voltage | Visual Angle | Operating Temperature | Housing material |
|----------|------------------|---------------|-----------------------|-----------------|-----------|-------------------------------------|--------------|-----------------------|------------------|
| 300 | DT300-3-ZGSM-1-G | G: 96 | 8000~13000 | 500±5 | ≤7 | 12V/24V DC 100-240VAC 50/60Hz | <30° | -40~+75°C | PC Aluminum |



| Diameter | Model | LED Qty (Pcs) | Light Intensity (mcd) | Wavelength (nm) | Power (W) | Input Voltage | Visual Angle | Operating Temperature | Housing material |
|----------|------------------|---------------|-----------------------|-----------------|-----------|-------------------------------------|--------------|-----------------------|------------------|
| 300 | DT300-3-ZGSM-1-Y | Y: 96 | 5000~7000 | 590±5 | ≤5 | 12V/24V DC 100-240VAC 50/60Hz | <30° | -40~+75°C | PC Aluminum |



| Diameter | Model | LED Qty (Pcs) | Light Intensity (mcd) | Wavelength (nm) | Power (W) | Input Voltage | Visual Angle | Operating Temperature | Housing material |
|----------|-------------------|---------------|-----------------------|-----------------|-----------|-------------------------------------|--------------|-----------------------|------------------|
| 300 | DT300-3-ZGSM-1-LR | R: 96 | 5000~7000 | 625±5 | ≤5 | 12V/24V DC 100-240VAC 50/60Hz | <30° | -40~+75°C | PC Aluminum |



| Diameter | Model | LED Qty (Pcs) | Light Intensity (mcd) | Wavelength (nm) | Power (W) | Input Voltage | Visual Angle | Operating Temperature | Housing material |
|----------|-------------------|---------------|-----------------------|-----------------|-----------|-------------------------------------|--------------|-----------------------|------------------|
| 300 | DT300-3-ZGSM-1-LG | G: 96 | 8000~13000 | 500±5 | ≤7 | 12V/24V DC 100-240VAC 50/60Hz | <30° | -40~+75°C | PC Aluminum |

LED U-Turn Traffic Light



| Diameter | Model | LED Qty (Pcs) | Light Intensity (mcd) | Wavelength (nm) | Power (W) | Input Voltage | Visual Angle | Operating Temperature | Housing material |
|----------|-------------------|---------------|-----------------------|-----------------|-----------|-------------------------------------|--------------|-----------------------|------------------|
| 300 | DT300-3-ZGSM-1-LY | Y: 96 | 5000~7000 | 590±5 | ≤5 | 12V/24V DC 100-240VAC 50/60Hz | <30° | -40~+75°C | PC Aluminum |



| Diameter | Model | LED Qty (Pcs) | Light Intensity (mcd) | Wavelength (nm) | Power (W) | Input Voltage | Visual Angle | Operating Temperature | Housing material |
|----------|-------------------|---------------|-----------------------|-----------------|-----------|-------------------------------------|--------------|-----------------------|------------------|
| 300 | DT300-3-ZGSM-2-RG | R: 96 | 5000~7000 | 625±5 | ≤5 | 12V/24V DC 100-240VAC 50/60Hz | <30° | -40~+75°C | PC Aluminum |
| | | G: 96 | 8000~13000 | 500±5 | ≤7 | | | | |



| Diameter | Model | LED Qty (Pcs) | Light Intensity (mcd) | Wavelength (nm) | Power (W) | Input Voltage | Visual Angle | Operating Temperature | Housing material |
|----------|---------------------|---------------|-----------------------|-----------------|-----------|-------------------------------------|--------------|-----------------------|------------------|
| 300 | DT300-3-ZGSM-2-L-RG | R: 96 | 5000~7000 | 625±5 | ≤5 | 12V/24V DC 100-240VAC 50/60Hz | <30° | -40~+75°C | PC Aluminum |
| | | G: 96 | 8000~13000 | 500±5 | ≤7 | | | | |



LED U-Turn Traffic Light



| Diameter | Model | LED Qty (Pcs) | Light Intensity (mcd) | Wavelength (nm) | Power (W) | Input Voltage | Visual Angle | Operating Temperature | Housing material |
|----------|--------------------|---------------|-----------------------|-----------------|-----------|-------------------------------------|--------------|-----------------------|------------------|
| 300 | DT300-3-ZGSM-3-RYG | R: 96 | 5000~7000 | 625±5 | ≤5 | 12V/24V DC 100-240VAC 50/60Hz | <30° | -40~+75°C | PC Aluminum |
| | | Y: 96 | 5000~7000 | 590±5 | ≤5 | | | | |
| | | G: 96 | 8000~13000 | 500±5 | ≤7 | | | | |



| Diameter | Model | LED Qty (Pcs) | Light Intensity (mcd) | Wavelength (nm) | Power (W) | Input Voltage | Visual Angle | Operating Temperature | Housing material |
|----------|----------------------|---------------|-----------------------|-----------------|-----------|-------------------------------------|--------------|-----------------------|------------------|
| 300 | DT300-3-ZGSM-3-L-RYG | R: 96 | 5000~7000 | 625±5 | ≤5 | 12V/24V DC 100-240VAC 50/60Hz | <30° | -40~+75°C | PC Aluminum |
| | | Y: 96 | 5000~7000 | 590±5 | ≤5 | | | | |
| | | G: 96 | 8000~13000 | 500±5 | ≤7 | | | | |



| Diameter | Model | LED Qty (Pcs) | Light Intensity (mcd) | Wavelength (nm) | Power (W) | Input Voltage | Visual Angle | Operating Temperature | Housing material |
|----------|----------------------|--|-----------------------|-----------------|-----------|-------------------------------------|--------------|-----------------------|------------------|
| 300 | DT300-3-ZGSM-3-R288G | R: Turn Arrow: 96 Countdown: 140 | 5000~7000 | 625±5 | ≤5 ≤2 | 12V/24V DC 100-240VAC 50/60Hz | <30° | -40~+75°C | PC Aluminum |
| | | G: Turn Arrow: 96 Countdown: 140 | 8000~13000 | 500±5 | ≤7 ≤2 | | | | |

LED U-Turn Traffic Light



| Diameter | Model | LED Qty (Pcs) | Light Intensity (mcd) | Wavelength (nm) | Power (W) | Input Voltage | Visual Angle | Operating Temperature | Housing material |
|----------|------------------------|--|-----------------------|-----------------|-----------|-------------------------------------|--------------|-----------------------|------------------|
| 300 | DT300-3-ZGSM-3-L-R288G | R: Turn Arrow: 96 Countdown: 140 | 5000~7000 | 625±5 | ≤5 ≤2 | 12V/24V DC 100-240VAC 50/60Hz | <30° | -40~+75°C | PC Aluminum |
| | | G: Turn Arrow: 96 Countdown: 140 | 8000~13000 | 500±5 | ≤7 ≤2 | | | | |



| Diameter | Model | LED Qty (Pcs) | Light Intensity (mcd) | Wavelength (nm) | Power (W) | Input Voltage | Visual Angle | Operating Temperature | Housing material |
|----------|----------------------|--|-----------------------|-----------------|-----------|-------------------------------------|--------------|-----------------------|------------------|
| 300 | DT300-3-ZGSM-3-R388G | R: Turn Arrow: 96 Countdown: 140 | 5000~7000 | 625±5 | ≤5 ≤2 | 12V/24V DC 100-240VAC 50/60Hz | <30° | -40~+75°C | PC Aluminum |
| | | Y: 84 | 5000~7000 | 590±5 | ≤2 | | | | |
| | | G: Turn Arrow: 96 Countdown: 140 | 8000~13000 | 500±5 | ≤7 ≤2 | | | | |

LED U-Turn Traffic Light

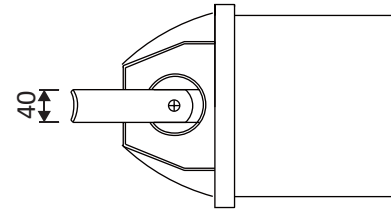
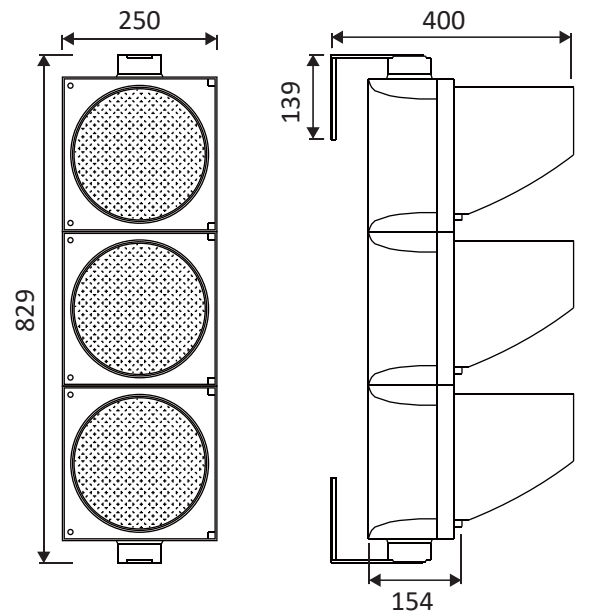
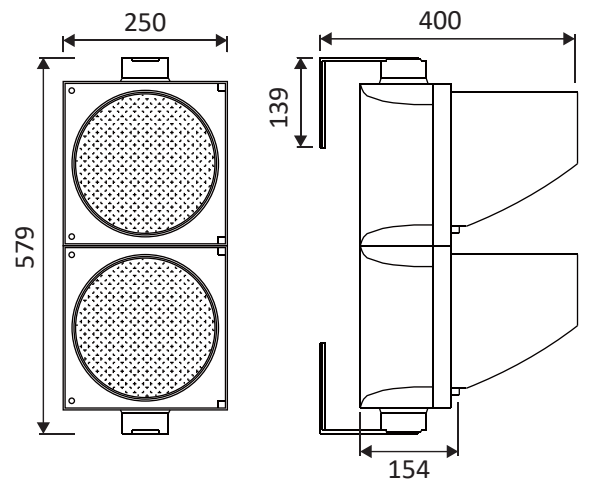
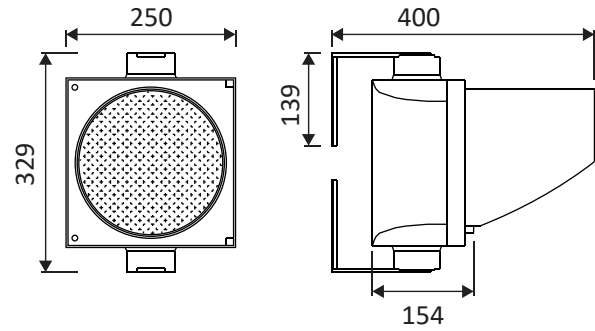


| Diameter | Model | LED Qty (Pcs) | Light Intensity (mcd) | Wavelength (nm) | Power (W) | Input Voltage | Visual Angle | Operating Temperature | Housing material |
|----------|------------------------|--|-----------------------|-----------------|-----------|-------------------------------------|--------------|-----------------------|------------------|
| 300 | DT300-3-ZGSM-3-L-R388G | R: Turn Arrow: 96 Countdown: 140 | 5000~7000 | 625±5 | ≤5 ≤2 | 12V/24V DC 100-240VAC 50/60Hz | <30° | -40~+75°C | PC Aluminum |
| | | Y: 84 | 5000~7000 | 590±5 | ≤2 | | | | |
| | | G: Turn Arrow: 96 Countdown: 140 | 8000~13000 | 500±5 | ≤7 ≤2 | | | | |

Packing Details

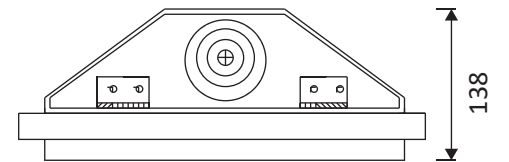
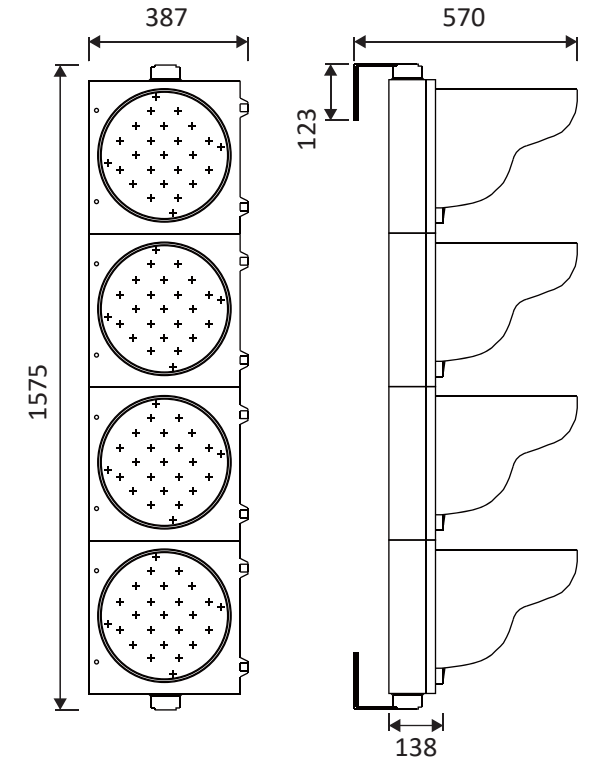
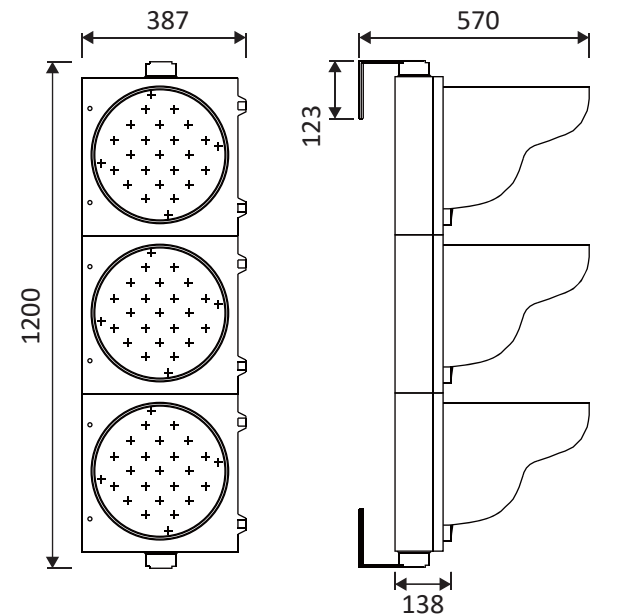
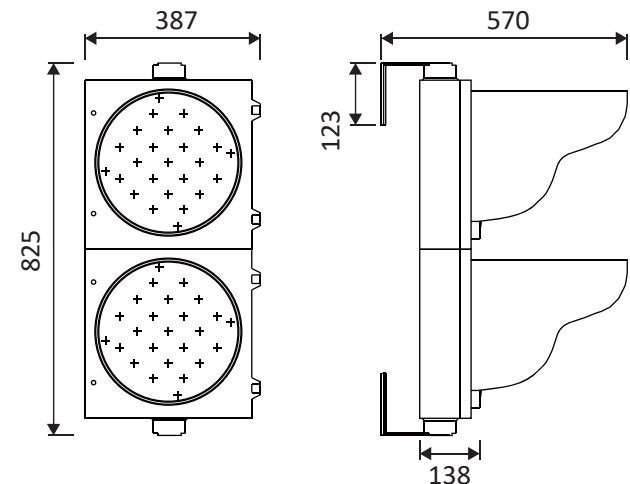
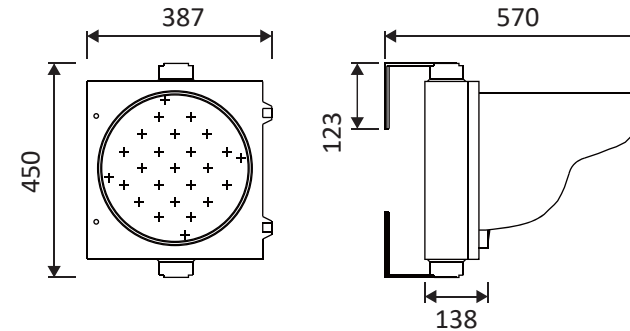
| Module | Qty | 200mm | | 300mm | |
|--------|-----|-------------------|----------------|-------------------|---|
| | | Packing Dimension | Packing Weight | Packing Dimension | Packing Weight (single) PC /Aluminum |
| 1 | 4 | 530 x390 x290 mm | 15.5 kg | 820 x380 x440 mm | 21.0 kg 28.0 kg |
| 2 | 2 | 530 x390 x290 mm | 12.7 kg | 820 x380 x440 mm | 19.5 kg 25.5 kg |
| 3 | 2 | 770 x390 x290 mm | 16.5 kg | 1190 x380 x440 mm | 27.5 kg 36.5 kg |
| 4 | 2 | / | / | 1560 x380 x440 mm | 35.5 kg 47.5 kg |

200mm Dimension



Dimensions in mm

300mm Dimension



Dimensions in mm

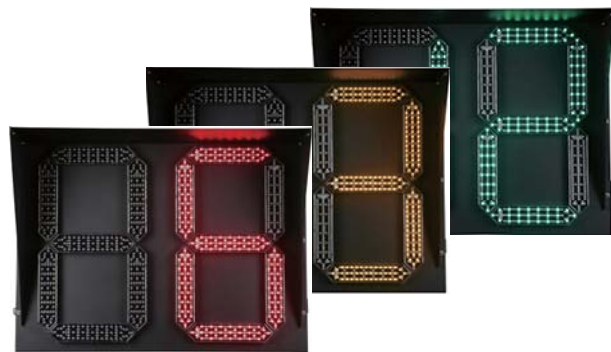
LED Countdown Traffic Light



| Diameter | Model | LED Qty (Pcs) | Light Intensity (mcd) | Wavelength (nm) | Power (W) | Input Voltage | Visual Angle | Operating Temperature | Housing material |
|----------|---------------------|---------------|-----------------------|-----------------|-----------|-------------------------------------|--------------|-----------------------|------------------|
| 200 | DJS200-3-ZGSM-1-288 | R: 56 | 5000~7000 | 625±5 | ≤2 | 12V/24V DC 100-240VAC 50/60Hz | <30° | -40~+75°C | PC |
| | | G: 56 | 8000~13000 | 500±5 | ≤2 | | | | |



| Diameter | Model | LED Qty (Pcs) | Light Intensity (mcd) | Wavelength (nm) | Power (W) | Input Voltage | Visual Angle | Operating Temperature | Housing material |
|----------|---------------------|---------------|-----------------------|-----------------|-----------|-------------------------------------|--------------|-----------------------|------------------|
| 300 | DJS300-3-ZGSM-1-288 | R: 140 | 5000~7000 | 625±5 | ≤2 | 12V/24V DC 100-240VAC 50/60Hz | <30° | -40~+75°C | PC Aluminum |
| | | G: 140 | 8000~13000 | 500±5 | ≤2 | | | | |



| Diameter | Model | LED Qty (Pcs) | Light Intensity (mcd) | Wavelength (nm) | Power (W) | Input Voltage | Visual Angle | Operating Temperature | Housing material |
|----------|---------------------|---------------|-----------------------|-----------------|-----------|-------------------------------------|--------------|-----------------------|------------------|
| 800 x600 | DJS800-3-ZGSM-1-388 | R: 546 | 5000~7000 | 625±5 | ≤8 | 12V/24V DC 100-240VAC 50/60Hz | <30° | -40~+75°C | PC Aluminum |
| | | Y: 294 | 5000~7000 | 590±5 | ≤8 | | | | |
| | | G: 336 | 8000~13000 | 500±5 | ≤10 | | | | |

Solar flash light



Product Functions And Features:

Suitable for highway, bridge, viaduct and traffic alerts spaces
 Four level auto-dimming according to environment brightness and battery voltage.
 High-efficiency of light to electricity transforming. .
 Perfect battery protect circuit to extend the battery life span.

| Diameter | Model | Color | Qty of LED | luminance or light Intensity | Flashing rate | Input Voltage | W.T.(°C) | Housing Material |
|----------|------------------|--------|------------|------------------------------|---------------|---------------|------------|------------------|
| 200 | HS200-3-ZGSM-1-Y | Yellow | 60Pcs | > 300cd | 50±5times/min | DC11V/12.8V | -40~ +80°C | PC |
| | HS200-3-ZGSM-1-R | Red | 60Pcs | > 300cd | 50±5times/min | | | |
| 300 | HS300-3-ZGSM-1-Y | Yellow | 99Pcs | > 460cd | 50±5times/min | DC11V/12.8V | -40~ +80°C | PC |
| | HS300-3-ZGSM-1-R | Red | 99Pcs | > 460cd | 50±5times/min | | | |

Lithium Battery: 6600mAH /11V Li-ion Iron Battery:3000mAH /12.8V Consecutive rainy workday: ≥7days

Packing Details

| Model | Qty | Packing Dimension | Packing Weight |
|---------------------|-----|-------------------|----------------|
| DJS200-3-ZGSM-1-288 | 4 | 530 x390 x290 mm | 15.5 kg (PC) |
| DJS300-3-ZGSM-1-288 | 4 | 820 x380 x440 mm | 21.0 kg (PC) |
| DJS800-3-ZGSM-1-388 | 1 | 880 x670 x180 mm | 25.02 (iron) |
| HS200-3-ZGSM-1-Y /R | 1 | 420 x430 x360 mm | 6.5 kg (PC) |
| HS300-3-ZGSM-1-Y /R | 1 | 520 x410 x370 mm | 8.3 kg (PC) |

Traffic Signal Controller

44 Output Intelligent TrafficSignal Controller



Product Functions And Features:

- Built-in central control system, more reliable and stable.
- Outdoor cabinet equipped with lighting protection and power filtering device.
- Easy for maintenance and function extension by adopting modular design.
- 2*24 work periods for workday and holiday setting.
- 32 working menus can be adjusted in any period time.
- Each menu can include 24 steps and each step time set 1-255s.
- The flashing state of each traffic light can be set and time can be adjusted.
- Yellow flashing time at night can be set as customer want.
- Able to enter emergent yellow flashing state at any time.
- Manual control can be achieved by random and current running menu.

Technical Parameters:

| | | | |
|--------------------------|--------------------|------------------------------|---------------------------|
| Executive Standard | GB25280-2010 | Each Output drive Capability | 2A |
| Working Voltage | AC110 /220V | Working Frequency | 47Hz~63Hz |
| Working Temperature | -40°C ~80°C | Relative Humidity | Insulation value |
| Insulation value | ≥1 00MQ | Time Error | Error /year <2 .5 minutes |
| Setting Plan Saving Time | ≥10years | Inner Cabinet Dimension | 472.6 *215.3 *280mm |
| Outer Cabinet Dimension | H950 *W550 *D440mm | | |

Fixed-Time Traffic

| Item No. | Working Voltage | Working Frequency | Rated drive current in each way | No-load power | Output Channel |
|-------------------|-----------------|-------------------|---------------------------------|---------------|----------------|
| XHJ- AW-GA-FMADAN | AC110 /220V±20% | 47 ~63Hz | 2A | <10W | 44 |
| XHJ- AW-GA-FMADCN | AC110 /220V±20% | 47~63Hz | 2A | <10W | 22 |

22 Output Intelligent TrafficSignal Controller



Traffic Signal Controller

5 Outputs Independent Traffic Controller (For Pedestrian Crossing)



Technical Parameters:

| | | | |
|---------------------|------------------------|------------------------------|--------------------------|
| Executive Standard | GB25280-2010 | Each Output drive Capability | 500W |
| Working Voltage | AC110 /220V(DC12 /24V) | Working Frequency | 47Hz~63Hz |
| Working Temperature | -40°C~80°C | Relative Humidity | <98% |
| Insulation value | ≥100MQ | Time Error | Error /year <2.5 minutes |
| Cabinet Dimension | 640 *480 *120mm | | |

BLINDMAN CLOCK & PEDESTRIAN PUSH BUTTON Blindman Clock & Acoustic Pedestrian Device Designed For Blind Men



Product Functions And Features:

- Stable and reliable working, easy to install.
- Controller adopt modular design, convenient for maintenance and function expansion.
- Can be extended to RS 485.
- Can be adjusted, checking and setting when controller running.
- Have operation panel, easy to setting .
- Simple wire connection.

Product Functions And Features:

- Multi operation period with built-in high-precision clock chip, free from interruption of power-down mode and less than 2.5-minute yearly operation error.
- Connected to control box for instant parameter adjustment; Adopting highly efficient CLASS D power amplifier circuit.
- Available to adjust the volume among 81 grades by control box and when the volume is 0,power amplifier will work in silence without any noise.
- Able to pre-store different settings and then send them to be received at the same time.
- With guide-way design and convenient installation.
- Connected to control box by USB interface and easy for setup; Voice prompt message can be customized.

Technical Parameters:

| | | | |
|----------------------------|----------------|--------------------------------|------------------|
| Maximum Peak Work Power | <18W | Voice Prompt Rate(Red Light) | 70±5 Times/Min |
| Maximum Average Work Power | <8W | Voice Prompt Rate(Green Light) | 700±50 Times/Min |
| Input Voltage | AC85V~264V | Work Temperature | -40°C~80°C |
| Setting Mode | By Control Box | Volume Setting | 0-80 |
| IP Grade | IP65 | Period | 1-9 |

Pedestrian Crossing Button



Pedestrian Crossing Button

Model:KH-AN-FM01
The product is made of high strength casing and high quality components,so waterproof,moisture-proof anti-surge, anti-lightning and antistatic.Fama through rigorous manufacturing and testing process, Ensure that products safe and reliable operating inharsn environments.
Technical parameters Working voltage: AC220V
Operating Temperature:-40°C~80°C

Traffic Signal Controller

Solar Wireless Traffic Controller



Product Functions And Features:

- Working voltage range: 10V-30V DC.
- Low power consumption (master controller/slave controller: less than 1W under 12V DC while 1.5W under 24V DC).
- Adopt 1 pcs master controller with 8pcs slave controller maximum.
- Each master controller/slave controller has 11 outputs channels maximum (4 control phases).
- Over-voltage protection for master controller/slave controller; the power supply will shut down when input is over 36V.
- CPU control and driving output adopt modular design, easy maintenance and repair; CPU adopts MCU chips from US, with build-in watch-dog circuit to assure its stability.
- Driving output adopts MOSFET(40mQ low internal resistance MOS type); separate fuse on each phase.
- Wireless communication adopts ISM frequency band, no need for permission.



Technical Parameters:

| | | | |
|--|--|--|---|
| Working Voltage | DC12 /24V(Compliant Automatically) | No-load Power of Hosts and Auxiliary | <1W(@DC12)& <1.5W(@DC24) |
| Over-current Protect Value | 35V±2V | Communication Mode of Hosts and Auxiliary | Wireless |
| Wireless Communication Modulation Style | GFSK | Wireless Communication Frequency | 490MHZ |
| Wireless Communication Baud Rate | 9600bps | Wireless Transmit Power | ≤100mw |
| Time and Sequence of Motor Light Runs | All Red (can be set)→Green→Green Flashing(can be set)→Yellow→Red | Time and Sequence of Pedestrian Light Runs | All Red (can be set)→Green→Green Flashing(can be set)→Red |
| Wireless Communication Distance | > 600m | Rated Drive Current for Each Output | 5A |
| Resistance to Surge Current for Each Output | ≥100A | The Largest Independent Output Channel of Hosts or Auxiliary | 11 |
| The Largest Independent Output Phase of Hosts or Auxiliary | 4 | Collocation way (one unit) | Master controller QTY 1pcs Slave controller QTY(Collocated by Crossing) 0~8pcs |
| The Menu can be Adjustable | 32 | Menu can be set by user (Operational Phase Timing Plan) | 30 |
| The Steps can be set per Menu | 16 | The Maximum Duration can be set every day | 16 |
| The timing setting range for single step | 1~255S | The setting range for all red settling time | 0~5S |
| The setting range for yellow settling time | 0~9S | The setting range for green flashing | 0~9S |
| Working Temperature | -20°C~ +80°C | The setting range for green flashing | <98% |
| Save option scheme (when power off) | ≥10years | Time Error | Error /year <2.5min |
| Box Size | 300 *280 *80mm | | |

Projects

