

ZGSM-PV4-10

LED SOLAR STREET LIGHT



2 YEAR
WARRANTY

Description

PV4 is a new private design LED solar street light, with a slim design and higher conversion efficiency Mono-crystalline photovoltaic Solar panel, 200lm/w efficiency to make the products with better advantages to meet different requirements from customers.

Key Features

- All-in-one design.
- Multiple installation modes are supported.
- High efficiency MPPT controller, charging efficiency up to 92%.
- Intelligent battery management, prolong the service life of lithium battery.
- Microwave induction control, realize intelligent power saving mode.
- Perfect protection function, undervoltage, overcharge protection.
- Infrared wireless remote control, adjust the working mode easily.

Applications

- Village streets
- Urban road
- Courtyard
- Parking Lot

SPECIFICATION

Lighting

Maxium Lighting Efficiency	200LM /W
LED Chip	Hight bright Bridgelux 3030
CCT	3000-6500K (can be customized)
Life Span	L70>100, 000 hours
Light out put	2000LM
Working Way	Motion Sensor /Timer

Solar Panel

PV module	Monocrystalline 12W
Life Span	20 years

Storage

Battery	LiFePO 64WH
Autonomy	3days (Rainy days)
Life Span	>2500 cycles

Charging Controller

Charging Mode	MPPT
Life Span	8 years

Mechanical Specifications

Installation Height	3-6m
Pole diameter	40-60mm
Product Dimension (mm)	577 x188 x65
Weight (Kg)	2.4

Package Info

Packing Size (mm)	605 x85 x195
Gross Weight (Kg)	2.7

Environment

Working Temperature	-15°C to +70°C
Water Resistance	IP65



ZGSM-PV4-20 LED SOLAR STREET LIGHT



2 YEAR
WARRANTY

Description

PV4 is a new private design LED solar street light, with a slim design and higher conversion efficiency Mono-crystalline photovoltaic Solar panel, 200lm/w efficiency to make the products with better advantages to meet different requirements from customers.

Key Features

- All-in-one design.
- Multiple installation modes are supported.
- High efficiency MPPT controller, charging efficiency up to 92%.
- Intelligent battery management, prolong the service life of lithium battery.
- Microwave induction control, realize intelligent power saving mode.
- Perfect protection function, undervoltage, overcharge protection.
- Infrared wireless remote control, adjust the working mode easily.

Applications

- Village streets
- Urban road
- Courtyard
- Parking Lot

SPECIFICATION

Lighting

Maxium Lighting Efficiency	200LM /W
LED Chip	Hight bright Bridgelux 3030
CCT	3000-6500K (can be customized)
Life Span	L70>100, 000 hours
Light out put	4000LM
Working Way	Motion Sensor /Timer

Solar Panel

PV module	Monocrystalline 22W
Life Span	20 years

Storage

Battery Capacity	LiFePO 128WH
Autonomy	3days (Rainy days)
Life Span	>2500 cycles

Charging Controller

Charging Mode	MPPT
Life Span	8 years

Mechanical Specifications

Installation Height	3-6m
Pole diameter	40-60mm
Product Dimension (mm)	695 x241 x65
Weight (Kg)	3.6

Package Info

Packing Size (mm)	715 x85 x250
Gross Weight (Kg)	4.0

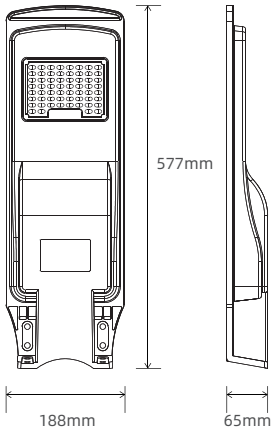
Environment

Working Temperature	-15°C to +70°C
Water Resistance	IP65

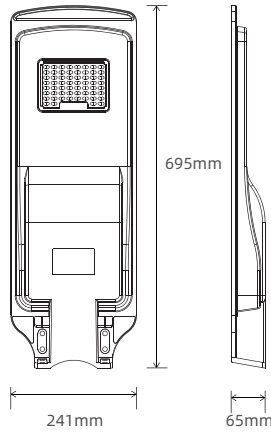


Dimensions

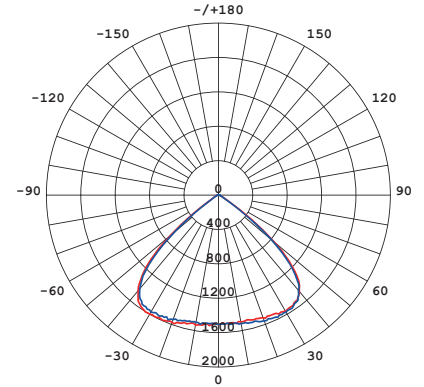
Photometry



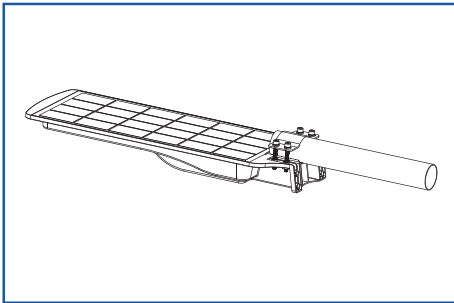
10W



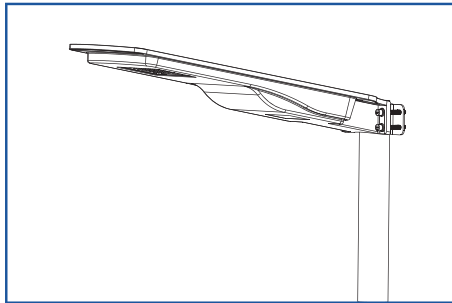
20W



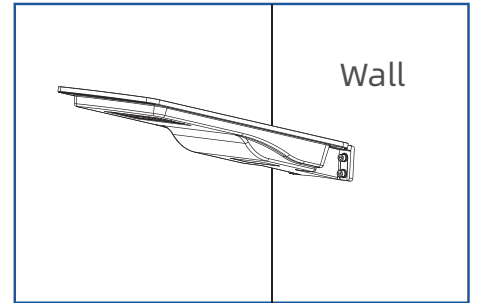
Mounting Options




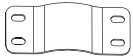



Side Entry



Pole clamp bracket



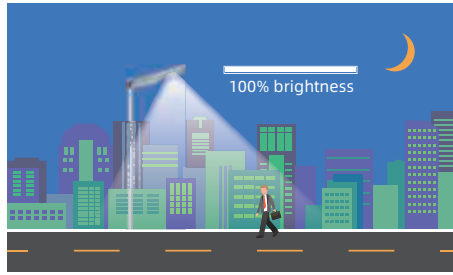
Wall Mount

Item	Parts	Qty	Picture
1	Light Body	1 Sets	
2	Hoop Anchor	1 Set	
3	M8*60MM Screw with nut	4 Sets	
4	Hoop pressing	2 Sets	
5	Remote Control	1 Set	
6	Instruction Manual	1 Set	

Factory Default setting:



With Sufficient natural light, the light keeps charging.



The light keeps 100% brightness when presence is detected, The induction delay is about 15S.



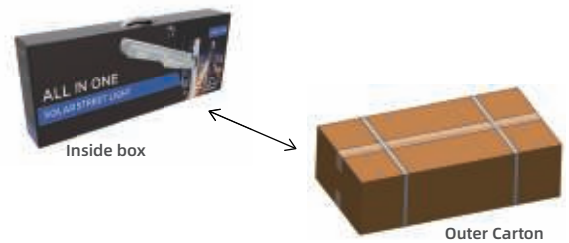
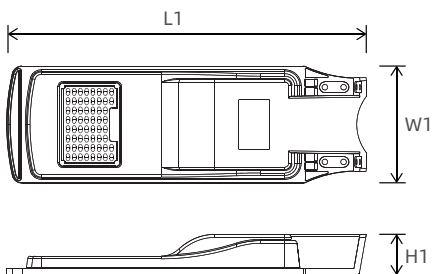
The light keeps 10% brightness when there is no presence is detected.



Button	Introduction
OFF	Turn off the lights (Automatically turn on the next night)
AUTO	Turn on and enter the induction mode (100% brightness when presence is detected, 10% brightness when there is no presence is detected, The induction delay is about 15S.)
25%	Force the lights to work for 25%, and turn off the lights the next morning. (Also available during daytime)
50%	Force the lights to work for 50%, and turn off the lights the next morning. (Also available during daytime)
75%	Force the lights to work for 75%, and turn off the lights the next morning. (Also available during daytime)
100%	Force the lights to work for 100%, and turn off the lights the next morning. (Also available during daytime)
M	Timer Mode (Sensor Off, Smart Power, All Night)
2H	100% on when dark, Switch to induction mode after 2 hours of smart power
3H	100% on when dark, Switch to induction mode after 3 hours of smart power
5H	100% on when dark, Switch to induction mode after 5 hours of smart power
8H	100% on when dark, Switch to induction mode after 8 hours of smart power
10H	100% on when dark, Switch to induction mode after 10 hours of smart power

Note: 1. The luminaire will automatically enter AUTO mode the following night after any remote control operation by the user.
 2. Smart power is 100% of the load output power, but when the battery capacity is reduced, the smart power is reduced to extend the operating time of the luminaire

Mounting Options



Fixture Information

Version	L1 xW1 xH1	Weight
10W	577 x188 x65mm	2.4 kg
20W	695 x241 x65mm	3.6kg

Package Information

Version	Packing Type	Packing Dimension	Packing Weight
10W	10units /ctn	630 x460 x425mm	28.6kg
20W	10units /ctn	740 x460 x530mm	41.8kg